

FEATURES:

- High Density Easy Access Trays
- High Quality Connectors
 - Simplex LC
 - Simplex SC
 - Duplex LC
 - MDC
- Low Insertion Loss
- Excellent Uniformity
- Low PDL
- Telcordia GR-1209/1221 Compliant



APPLICATIONS:

- PON-FTTx Networks
- Data Center
- Telecom Central Office
- CATV Systems
- OSP Cabinets & Clamshell Hardened Terminals (CHT)

DESCRIPTION:

The Go!Foton PEACOC Ultra High Density Fiber Management Platform has been awarded US Patent #8,939,792 for its unique and innovative approach to fiber management. PEACOC is a fully integrated and modular technology platform which forms the foundation on which small form factor jumpers and a multitude of optical components can be easily incorporated and managed in an ultra-high density rack system. Now, with release of the newest PEACOC V3.0 chassis, the same award winning PEACOC™ technology is now available in modular form with the introduction of the value added PEACOC FleT™ – a Flexible Tray configuration which gives PEACOC users the complete control to reconfigure the 1RU PEACOC chassis in the field.

The PEACOC FleT is a highly flexible, cassette based design which may be ordered preconfigured or reconfigured in the field at any time, to support a variety of fiber patching and splicing applications. In addition, the FleT enhancement to PEACOC allows users to field install, manage and reconfigure integrated optical components such as tap splitters, PLC splitters and xWDM filter modules.

Go!Foton's PLC Splitters provide high performance with very low insertion loss, excellent uniformity and temperature stability, and low PDL. They are designed for demanding requirements over a wide operating wavelength range and are GR-1209-CORE, GR-1221-CORE specification compliant. The splitters are pigtailed with Bend-Insensitive Single Mode fiber to achieve a robust, compact package that is durable for field handling. The splitters are available in 4, 8, 12, 16, 32, 64, and 128 channel configuration with a variety of connector choices.

SPECIFICATION:

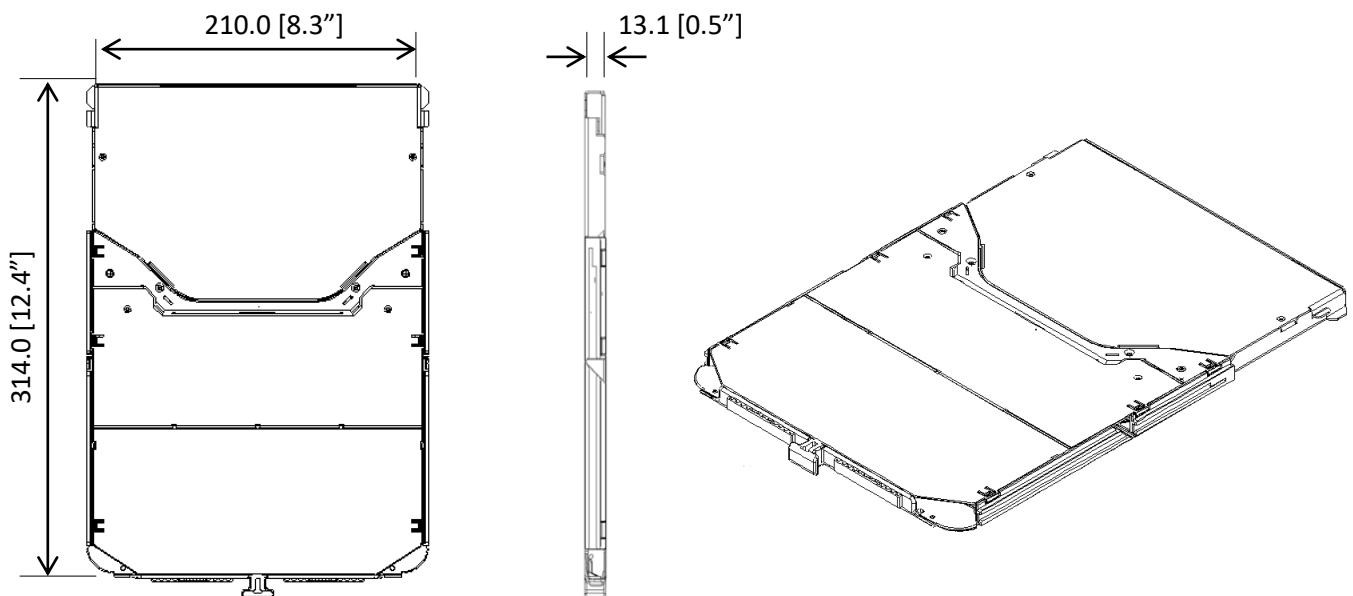
The products supplied to this specification shall meet or exceed all the requirements specified herein.

A. OPTICAL CHARACTERISTICS

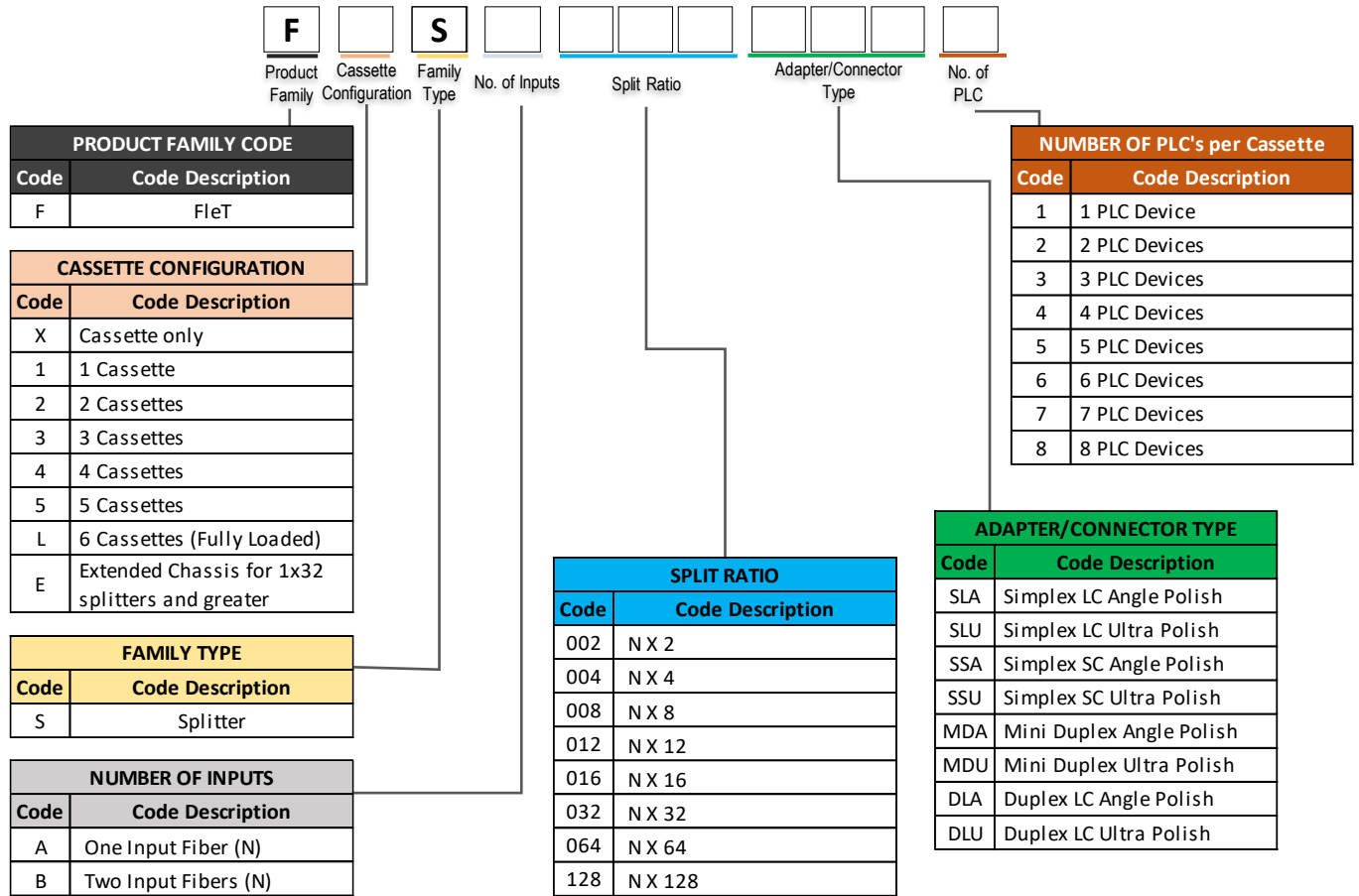
Parameters	Unit	Specification						
Operating Wavelength Range	nm	1260~1650						
Configuration		1x4	1x8	1x12	1x16	1x32	1x64	1x128
Insertion Loss	dB	≤ 7.4	≤ 10.9	≤ 13.2	≤ 14.1	≤ 21.4	≤ 29.4	≤ 21.4
Uniformity	dB	≤ 1.0	≤ 1.0	≤ 1.0	≤ 1.0	≤ 1.0	≤ 1.0	≤ 1.0
Polarization Dependent Loss	dB	≤ 7.4	≤ 10.9	≤ 13.2	≤ 14.1	≤ 21.4	≤ 29.4	≤ 21.4
WDL	dB	≤ 0.3						
Return Loss 2	dB	≤ 55						
Directivity	dB	≤ 50						
Optical Power Handling	mW	≤ 500						
Operating Temperature Range	°C	-40-85						
Storage Temperature Range	°C	-40-85						
Storage Humidity Range (No Condensation)	%RH	5-85						
Fiber Type		ITU G657A2, G657 B2 and G65D Compliant Single Mode Fiber						
Fiber Jacket		900µm tight buffer						

Notes:

1. All specifications are without fiber connectors.
2. Uniformity is defined as loss difference between output ports (ie. between O1 and O2 for 1x2 splitter).
3. Custom Configuration is also available (ie., 1x2 and 1x4 in one tray) per customer's request.



ORDERING GUIDE:



Ratio	SC Connector Type		LC Connector Type	
	PLC's per Cassette (max*)	PLC's per 1 RU (max*)	PLC's per Cassette (max*)	PLC's per 1 RU (max*)
1x2	4 PLC Devices	24 PLC Devices	8 PLC Devices	48 PLC Devices
1x4	2 PLC Devices	12 PLC Devices	4 PLC Devices	24 PLC Devices
1x8	1 PLC Device	6 PLC Devices	2 PLC Devices	12 PLC Devices

*Assumes all front access

EXAMPLE ORDERING GUIDE:

Order Code: FXSA008SLA2
Description: FLET 1X8 SPLITTER 2 PLC Devices LC/APC SIMPLEX

Order Code: FLSA016SSU1
Description: FLET 1X16 SPLITTER 1 PLC Device SC/UPC SIMPLEX FULLY LOADED