

PEACOC® Compact OSP DWDM Terminal

Description:

The Go!Foton PEACOC Terminal offers high density fiber management in an extremely small yet easily accessible box for fast installation and quick turn-up of field connections with guaranteed quality and performance. Integrated with several DWDM channel options (4CH, 8CH, 12CH, 20CH, 40CH), this fiber terminal provides versatility for a wide range of fiber network applications with simple plug-and-play operability using high quality fiber terminations and easy access. A variety of mounting options are also available to provide value and consistency throughout the network. It's high-density fiber management – **that works!**

Features:

- Enhanced connector access using PEACOC spreadable adapter technology
- Compact size for concealed applications and tight spaces
- Removable / tethered cover for ease of use
- Strand, Pole and Wall mounting versatility
- Pre-configured with integrated DWDMs
- DWDMs certified to GR-1209/1221 Telcordia standards

Applications:

- Telecommunication and Wireless Networks
- Ideal for 5G, Small Cell, and DAS Networks
- Demarcation terminal between Core Network and Wireless or Access Edge
- HFC, FTTX, FTTA and MDU applications
- 10G/100G networks and beyond
- Strand Mount, Pole Mount and Wall Mount options
- External or Concealed within Pole Mounting



PEACOC® Compact OSP DWDM Terminal

Optical Specifications:

PARAMETER		4CH	8CH	20CH
Operating Wavelength		ITU		
Channel Spacing		100 GHz		
Pass band Wavelength	DWDM	ITU		
	Express	1260~1520 and 1570~1635		
	Upgrade	1528~1565 (Except C59~C20 Channels)		
Passband Bandwidth		$\lambda_c \pm 0.12\text{nm}$		
Max Insertion Loss	DWDM	$\leq 2.0\text{ dB}$	$\leq 3.0\text{ dB}$	$\leq 4.0\text{ dB}$
	Express	$\leq 1.0\text{ dB}$		
	Upgrade	$\leq 3.0\text{ dB}$		
Monitoring Port Insertion Loss	MUX	20 ~ 25 dB		
	DEMUX	18~22 dB (19 ~ 21 dB typ.)		
Uniformity		$\leq 1.0\text{ dB}$	$\leq 1.0\text{ dB}$	$\leq 2.0\text{ dB}$
Passband Ripple		$\leq 0.5\text{ dB}$		
Adjacent Channel Isolation		$\geq 28\text{ dB}$		
Non Adjacent Channel Isolation		$\geq 45\text{ dB}$		
Upgrade Port Isolation		$\geq 12\text{ dB}$		
Express Port Isolation		$\geq 12\text{ dB}$		
Polarization Dependent Loss		$\leq 0.20\text{ dB}$	$\leq 0.20\text{ dB}$	$\leq 0.25\text{ dB}$
Return Loss		$\geq 45\text{ dB}$		
Directivity	DWDM	$\geq 55\text{ dB}$		
	Express	$\geq 45\text{ dB}$		
Optical Power Handling		$\leq 500\text{ mW}$		
Adapter Type(s)		Duplex/Simplex: LC-APC or LC-UPC		
Standards		GR-1209/1221		

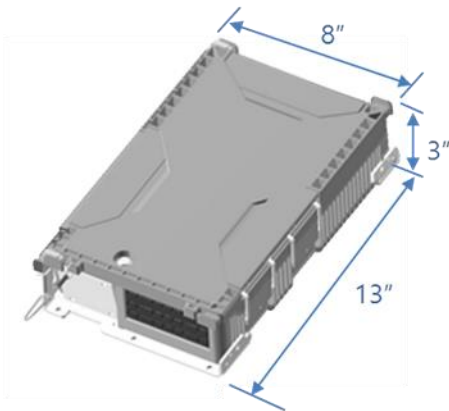


PEACOC® Compact OSP DWDM Terminal

Mechanical Specifications:

PARAMETER	SPECIFICATION
Operating Temperature	-40°C to 70°C
Locking Mechanism	216 tool key
Mounting Options	Strand, Pole, and Wall Mount
Cover	Hinged with Tether (Field Removable)
Color	Gray
Standards	VZ TPR.912 and GR-771

Product Dimensions:

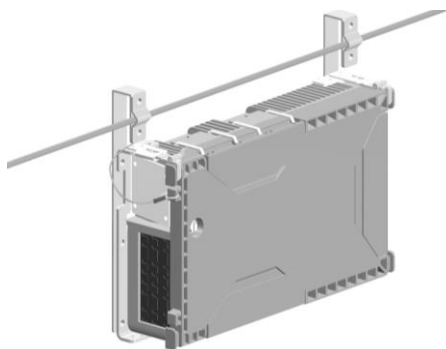


Product Options:

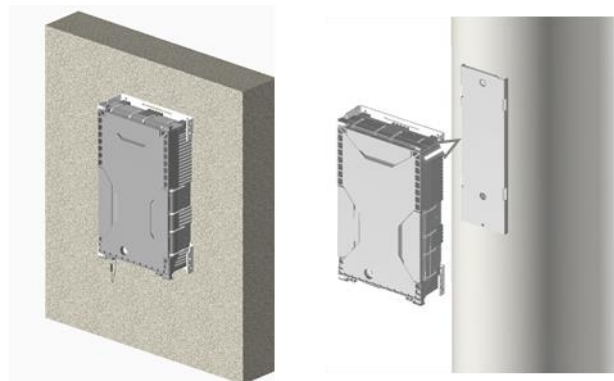


DWDM TERMINAL

Mounting Options:



STRAND MOUNT

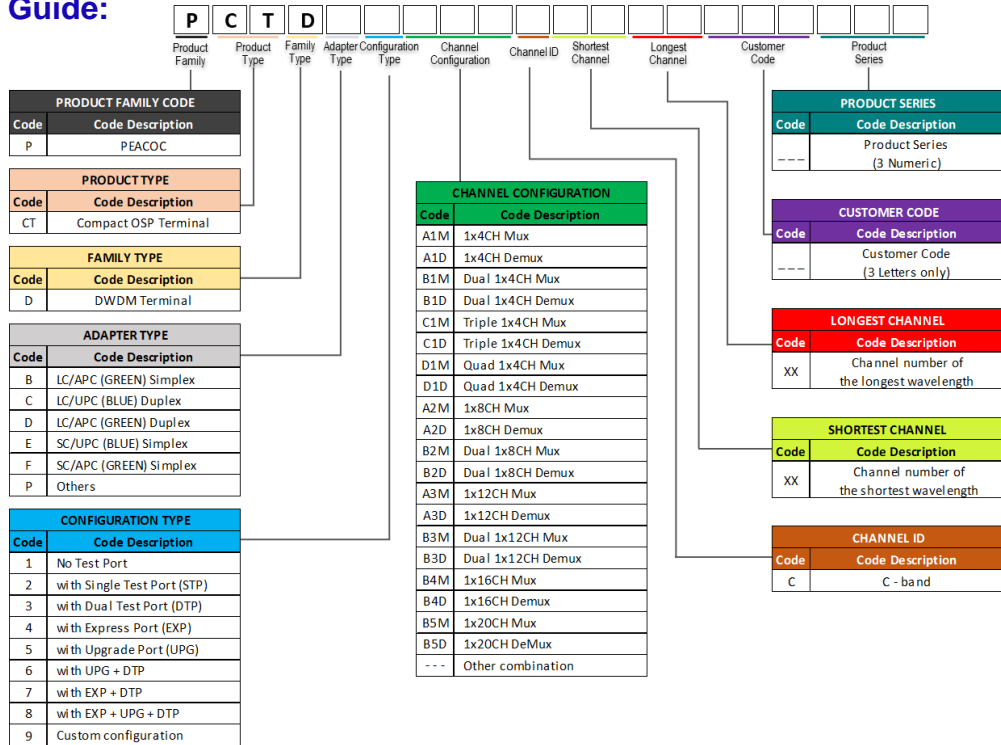


WALL and POLE MOUNT



PEACOC® Compact OSP DWDM Terminal

Ordering Guide:

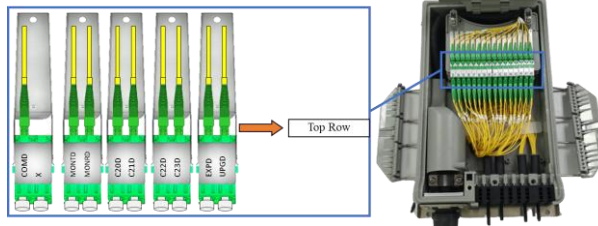


Note: Customer Code and Product Series is only applicable for products which are not covered by the standard specification.

Example Order Code:

Order Code: PCTDD8A1DC2320

Description: OSP Compact Terminal DWDM 100G 1x4CH Demultiplexer ITU23 ~ ITU20 with EXP+UPG+DTP LC/APC in LC Green Duplex Adapters



Order Code: PCTDC7D1MC2320

Description: OSP Compact Terminal DWDM 100G Quad 1x4CH Multiplexer ITU23 ~ ITU20 with EXP+DTP LC/UPC in LC Blue Duplex Adapters

