

PEACOC® Compact OSP Splitter Terminal

Description:

The Go!Foton PEACOC OSP Splitter Terminal offers high density fiber management in an extremely small yet easily accessible box for fast installation and quick turn-up of field connections with guaranteed quality and performance. Integrated with a variety of split-ratio options (1x4, 1x8, 1x16 & 1x32), this fiber terminal provides versatility for a wide range of fiber network topologies with simple plug-and-play operability using high quality fiber terminations and easy accessibility. A variety of mounting options are also available to provide value and consistency throughout the network. It's high-density fiber management – **that works!**

Features:

- Enhanced connector access using PEACOC spreadable adapter technology
- Compact size for concealed applications and tight spaces
- Removable / tethered cover for ease of use
- Strand, Pole and Wall mounting versatility
- Pre-configured with integrated Splitters
- Easy to read port identification and labeling
- Splitters certified to GR1221 Telcordia standards

Applications:

- Telecommunication and Wireless Networks
- Ideal for 5G, Small Cell, and DAS Networks
- Demarcation terminal between Core Network and Wireless or Access Edge
- FTTH, FTTA and MDU applications
- 10G/100G networks and beyond
- Strand Mount, Pole Mount and Wall Mount options
- External or Concealed within Pole Mounting



PEACOC® Compact OSP Splitter Terminal

Optical Specifications:

PARAMETER	1x4	1x8	1x16	1x32
Operating Wavelength	1260~1620nm			
Insertion Loss	≤ 7.2 dB	≤ 10.9 dB	≤ 14.1 dB	≤ 17.0 dB
Uniformity	≤1.0 dB	≤1.0 dB	≤1.0 dB	≤1.4 dB
Polarization Dependent Loss	≤0.2 dB	≤0.3 dB	≤0.3 dB	≤0.3 dB
Wavelength Dependent Loss	≤0.3 dB			
Return Loss	≥50 dB			
Directivity	≥55 dB			
Optical Power Handling	≤ 500 mW			
Splitter Capacity	See table below			
Outer Dimensions	8" x 13" x 3"			
Adapter Type(s)	Duplex/Simplex: LC-APC or LC-UPC			
Standards	GR-1209/GR-1221			

Splitter Capacity:

SPLITTER TYPE	MAX SPLITTER CAPACITY
1x4	4
1x8	2
1x16	1
1x32	1
Splitter Combinations:	3 (1x4) and 1 (1x8)
	2 (1x4) and 2 (1x8)
	3 (1x4) and 1 (1x16)
	1 (1x8) and 1 (1x16)
	1 (1x4), 1 (1x8), and 1 (1x8)
	(others possible, please contact Go!Foton)

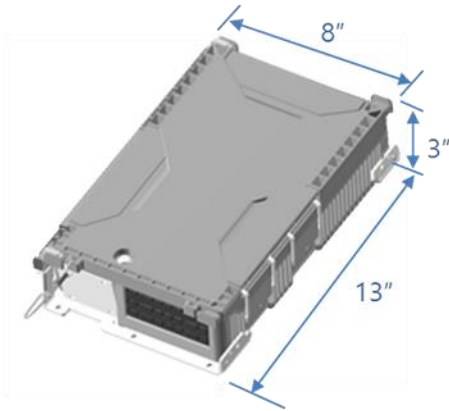


PEACOC® Compact OSP Splitter Terminal

Mechanical Specifications:

Operating Temperature	-40°C to 70°C
Locking Mechanism	216 tool key
Mounting Options	Strand, Pole, and Wall Mount
Cover	Hinged with Tether (Field Removable)
Color	Gray
Standards	VZ TPR.912 and GR-771

Product Dimensions:

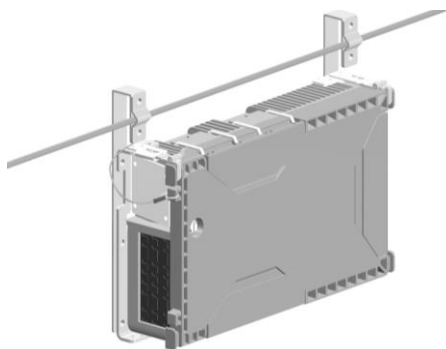


Product Options:

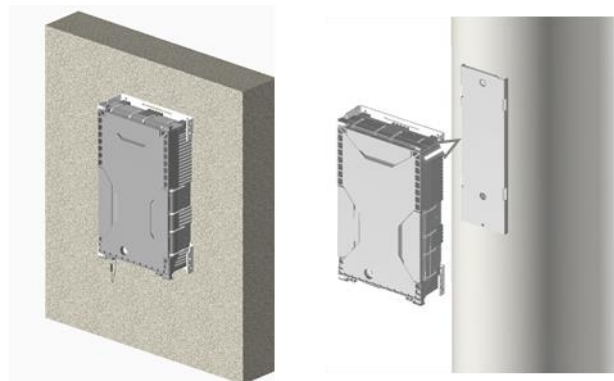


SPLITTER TERMINAL

Mounting Options:



STRAND MOUNT

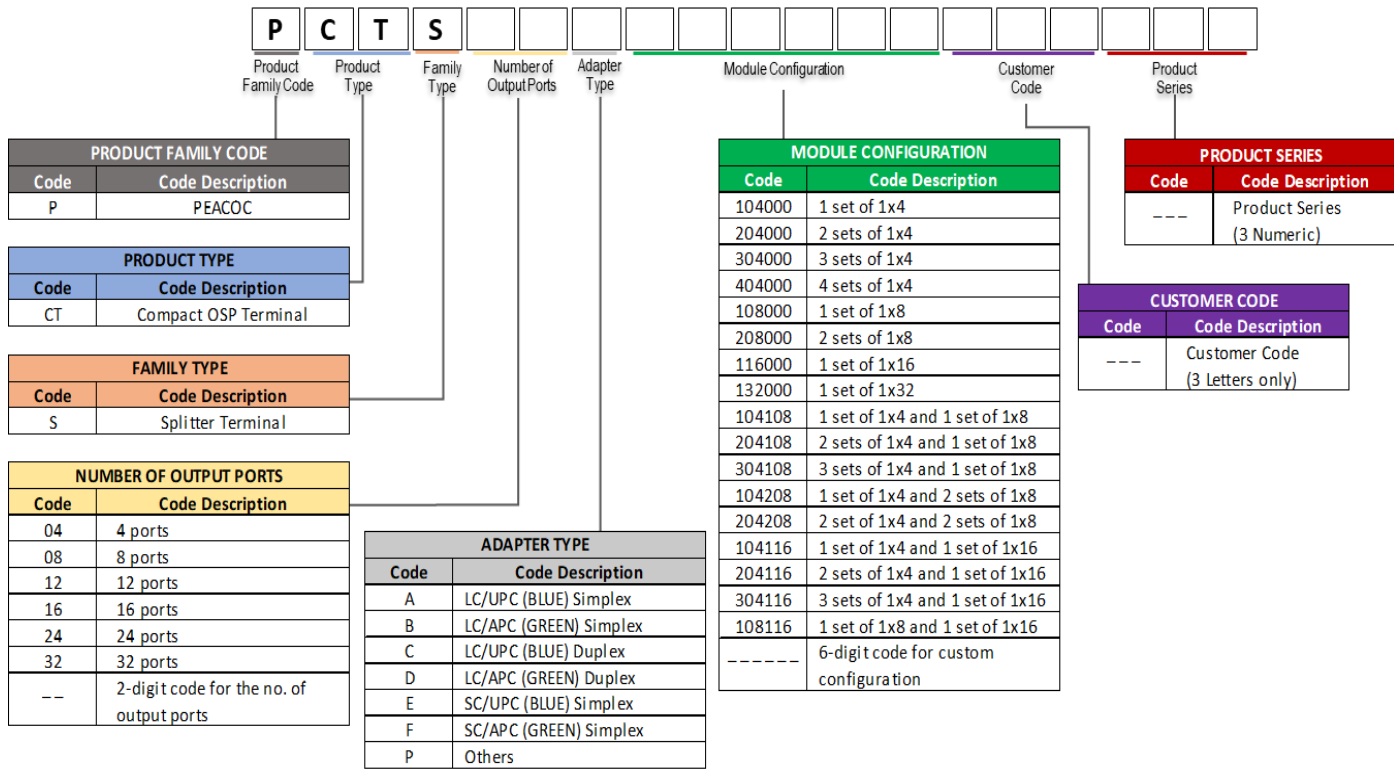


WALL and POLE MOUNT



PEACOC® Compact OSP Splitter Terminal

Ordering Guide:



Note: Customer Code and Product Series is only applicable for products which are not covered by the standard specification.

Example Ordering Code:

Order Code: PCTS08B108000

Description: OSP Compact Terminal 8-Ports with 1 set of 1x8 splitter and LC/APC green simplex adapters

Order Code: PCTS32C108116

Description: OSP Compact Terminal 32-Ports with 1 set of 1x8 splitter and 1 set of 1x16 splitter and LC/UPC blue duplex adapters

