

# PEACOC® Small Fiber Terminal

## Description:

The Go!Foton PEACOC Small Fiber Terminal offers high-density fiber management in an extremely small yet easily accessible enclosure for fast installation, easy access, and quick turn-up of field connections while ensuring quality and performance. This terminal delivers simple plug-and-play operability for use in a variety of indoor fiber network applications – ideal for customer premise and MDUs. It's high-density fiber management – **that works!**



## Features:

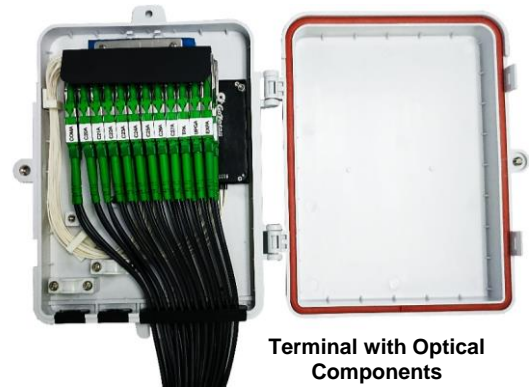
- Enhanced connector access using PEACOC spreadable adapter technology
- Extremely small & compact size
- Up to 24 LC drop ports (simplex or duplex) or 12 SC drop ports (simplex)
- Pre-stubbed and non-stubbed options available
- Field installable feeder cable: splice or connectorized
- Integrated optical components: PLC Splitters, DWDMs and Engineered TAPs



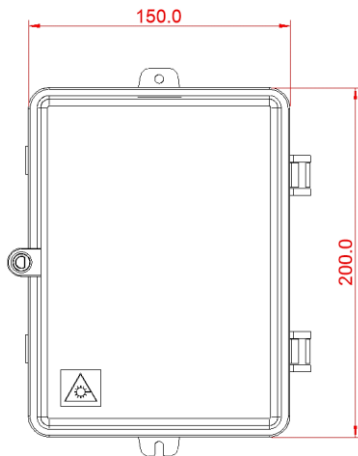
Standard Terminal  
Splice & Patch

## Applications:

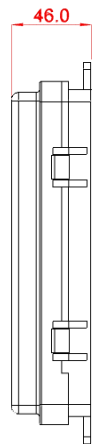
- Suitable for use in any fiber network
- Ideal for 5G, Small Cell, and DAS Networks
- FTTA, MDU, and Customer Premise applications
- HFC and CATV networks



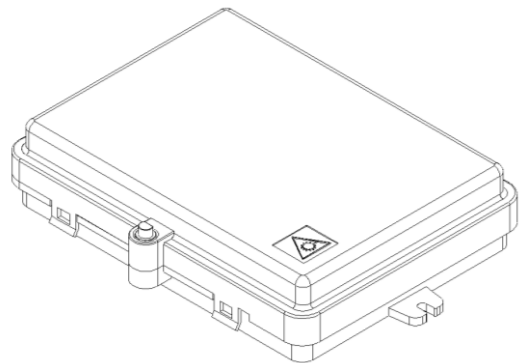
Terminal with Optical  
Components



FRONT VIEW



SIDE VIEW



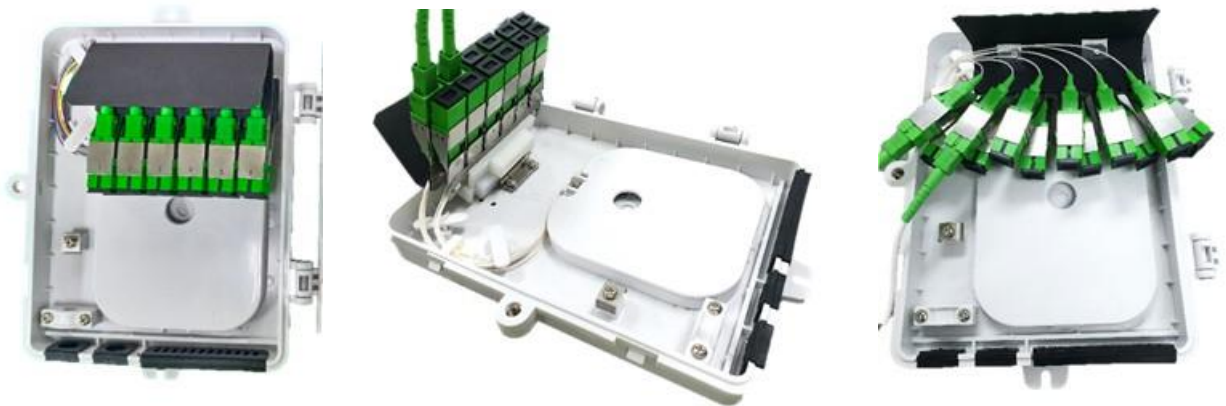
## PEACOC® Small Fiber Terminal



12 / 24 Port with LC Duplex



6 / 12 Port with LC Duplex and Splice Tray



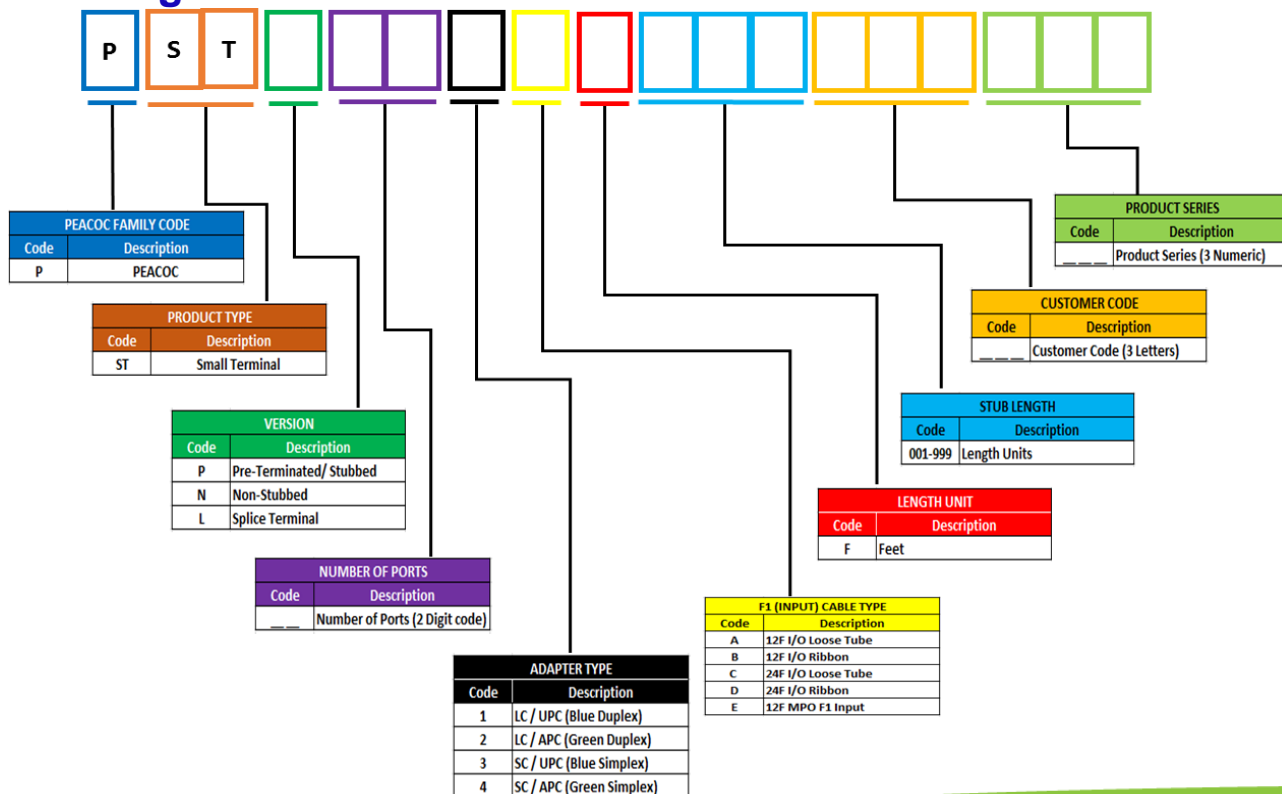
6 / 12 Port with SC Simplex and Splice Tray

# PEACOC® Small Fiber Terminal

## Standard Terminal Specifications:

PARAMETER	SPECIFICATION
Outer Dimension	7.9" x 5.9" x 1.8" (200mm x 150mm x 46mm)
Adapter Type(s)	LC/APC and LC/UPC Simplex or Duplex SC/APC and SC/UPC Simplex
Number of Ports	Up to 24 LC or 12 SC
Fiber Capacity (Patching)	Up to 24 Fibers (LC) or 12 Fibers (SC)
Fiber Capacity (Splicing)	Up to 12 Fibers (LC or SC)
Mounting Options	Wall-Mount
Locking Mechanism	Screw Key
Color	White
Material Rating	UL94V-0
Operating Temperature	-40°C to +60°C
IP Rating	IP63

## Ordering Guide:

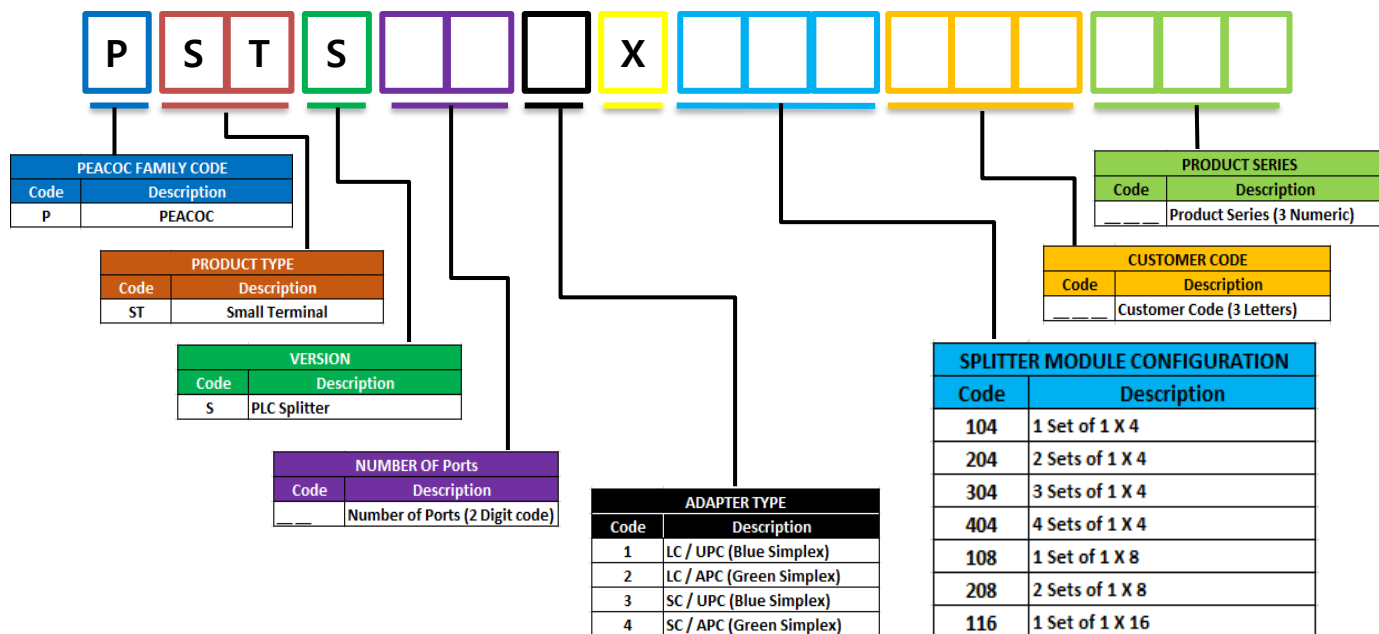


# PEACOC® Small Fiber Terminal

## Splitter Terminal Specifications:

PARAMETER	1x4	1x8	1x16
Operating Wavelength	1260~1620nm		
Insertion Loss	≤ 7.2 dB	≤ 10.9 dB	≤ 14.1 dB
Uniformity	≤1.0 dB	≤1.0 dB	≤1.0 dB
Polarization Dependent Loss	≤0.2 dB	≤0.3 dB	≤0.3 dB
Wavelength Dependent Loss	≤0.3 dB		
Return Loss	≥50 dB		
Directivity	≥55 dB		
Optical Power Handling	≤ 500 mW		
Splitter Capacity	See table below		
Outer Dimensions	8" x 13" x 3"		
Standards	GR-1209/GR-1221		

## Ordering Guide:

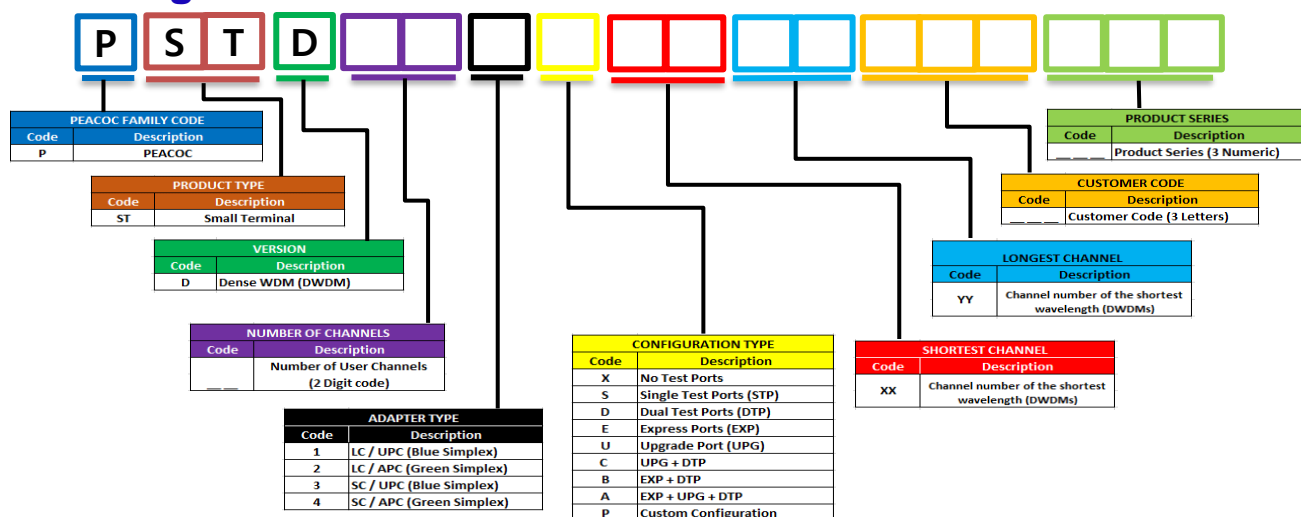


# PEACOC® Small Fiber Terminal

## DWDM Terminal Specifications:

PARAMETER		4CH	8CH
Operating Wavelength		ITU	
Channel Spacing		100 GHz	
Pass band Wavelength	DWDM	ITU	
	Express	1260~1520 and 1570~1635	
	Upgrade	1528~1565 (Except C59~C20 Channels)	
Passband Bandwidth		$\lambda_c \pm 0.12\text{nm}$	
Max Insertion Loss	DWDM	$\leq 2.0\text{ dB}$	$\leq 3.0\text{ dB}$
	Express	$\leq 1.0\text{ dB}$	
	Upgrade	$\leq 3.0\text{ dB}$	
Test Port Insertion Loss	MUX	20 ~ 25 dB	
	DEMUX	18~22 dB (19 ~ 21 dB typ.)	
Uniformity		$\leq 1.0\text{ dB}$	$\leq 1.0\text{ dB}$
Passband Ripple		$\leq 0.5\text{ dB}$	
Adjacent Channel Isolation		$\geq 28\text{ dB}$	
Non-Adjacent Channel Isolation		$\geq 45\text{ dB}$	
Upgrade Port Isolation		$\geq 12\text{ dB}$	
Express Port Isolation		$\geq 12\text{ dB}$	
Polarization Dependent Loss		$\leq 0.20\text{ dB}$	$\leq 0.20\text{ dB}$
Return Loss		$\geq 45\text{ dB}$	
Directivity	DWDM	$\geq 55\text{ dB}$	
	Express	45 dB	
Optical Power Handling		$\leq 500\text{ mW}$	
Standards		GR-1209/1221	

## Ordering Guide:



# PEACOC® Small Fiber Terminal

## Engineered TAP Terminals:

Code	TAP Value	TAP Module Description
<b>MODULE WITH 2-DROP PORTS</b>		
01	21 dB	99/1 TAP WITH 1X2 SPLITTER DROP PORTS
02	19 dB	98/2 TAP WITH 1X2 SPLITTER DROP PORTS
03	17 dB	97/3 TAP WITH 1X2 SPLITTER DROP PORTS
04	15 dB	95/5 TAP WITH 1X2 SPLITTER DROP PORTS
05	14 dB	94/6 TAP WITH 1X2 SPLITTER DROP PORTS
06	12 dB	90/10 TAP WITH 1X2 SPLITTER DROP PORTS
07	10 dB	80/20 TAP WITH 1X2 SPLITTER DROP PORTS
08	8 dB	75/25 TAP WITH 1X2 SPLITTER DROP PORTS
09	7 dB	70/30 TAP WITH 1X2 SPLITTER DROP PORTS
10	5 dB	60/40 TAP WITH 1X2 SPLITTER DROP PORTS
11	4 dB	1X2 SPLITTER DROP PORTS - TERMINATOR TAP
<b>MODULE WITH 4-DROP PORTS</b>		
12	21 dB	99/1 TAP WITH 1X4 SPLITTER DROP PORTS
13	19 dB	98/2 TAP WITH 1X4 SPLITTER DROP PORTS
14	17 dB	97/3 TAP WITH 1X4 SPLITTER DROP PORTS
15	15 dB	95/5 TAP WITH 1X4 SPLITTER DROP PORTS
16	13 dB	93/7 TAP WITH 1X4 SPLITTER DROP PORTS
17	11 dB	90/10 TAP WITH 1X4 SPLITTER DROP PORTS
18	10 dB	85/15 TAP WITH 1X4 SPLITTER DROP PORTS
19	9 dB	80/20 TAP WITH 1X4 SPLITTER DROP PORTS
20	7 dB	1X4 SPLITTER DROP PORTS - TERMINATOR TAP
<b>MODULE WITH 8-DROP PORTS</b>		
21	22 dB	99.5/0.5 TAP WITH 1X8 SPLITTER DROP PORTS
22	21 dB	99/1 TAP WITH 1X8 SPLITTER DROP PORTS
23	19 dB	98/2 TAP WITH 1X8 SPLITTER DROP PORTS
24	17 dB	97/3 TAP WITH 1X8 SPLITTER DROP PORTS
25	15 dB	95/5 TAP WITH 1X8 SPLITTER DROP PORTS
26	14 dB	94/6 TAP WITH 1X8 SPLITTER DROP PORTS
27	12 dB	90/10 TAP WITH 1X8 SPLITTER DROP PORTS
28	11 dB	1X8 SPLITTER DROP PORTS – TERMINATOR TAP

## Ordering Guide:

