

FEATURES:

- ITU Recommended Wavelength Grid
- Telcordia GR-1221 Compliant
- Low Insertion Loss
- Epoxy- Free Optical Path
- Exceptionally Stable and Reliable
- RoHS Compliant (Lead Free)

APPLICATIONS:

- Fiber Distribution
- Signal Monitoring
- Power Splitting



DESCRIPTION:

Go!Foton's Multimode TFF Tap Coupler is a compact, Thin-Film- Filter based, and low signal loss component designed for splitting signal wavelength in 850nm wavelength range. This device is ideal for CATV systems and telecommunications, and provide low insertion loss with high reliability. Reliability is guaranteed to fully meet Telcordia GR-1221 requirements.

SPECIFICATION:

The products supplied to this specification shall meet or exceed all the requirements specified herein.

A. OPTICAL AND ELECTRICAL CHARACTERISTICS

PARAMETER	UNIT	SYMBOL	PORT	SPECIFICATION		
Operating Wavelength Range ¹	nm	WL	All	850		
Transmission Tap Ratio ¹	%	R	All	70%, 90%, 50%		
				70%	90%	50%
Pass Channel Insertion Loss	dB	IL _P	P1→P3	≤2.1	≤1.1	≤4.0
Reflection Channel Insertion Loss	dB	IL _R	P1→P2	≤6.2	≤12.0	≤4.0
Return Loss	dB	RL	All	≥30		
Directivity	dB	Dir	P2↔P3	≥30		
Maximum Optical Power Handling	mW	P	All	500		
Operating Temperature	°C	T _{OP}	All	-40~+85		
Operating Humidity Range (No Condensation)	%RH	RH	All	+5~+85		
Storage Temperature Range	°C	T _{ST}	All	-40~+85		

All specifications are with connectors.

GoFoton Inc.(Japan)

5-4 Tokodai,Tsukuba City
Ibaraki Pref. Japan,300-2635
Tel:+81 029 847 8686
Fax: +81 029 847 8693
www.gofoton.co.jp

GoFoton Europe Sales

Hoogerheide
The Netherlands
CustomerCare@gofoton.com
Tel:+31 164 62 04 22
Fax:+31 164 62 04 17
www.gofoton.eu

GF Micro Optics Philippines,Inc.

Panorama Compound 3,
Lot3,Block1,East Main Avenue
Phase 5, Laguna
Technopark,Biñan City,Laguna
Tel : +63 2 751 0304
Fax: +63 2 751 0305
www.gofoton.ph

GoFoton Nanjing Company Ltd.

Nanjing Jiangning National
High Tech Industrial Park
Nanjing Jiangning Science Park
2 Qiande Road, Building 7, 1st Floor
Jiangning, Nanjing
Jiangsu, 211100, China
Tel: +86 25 5216-3442
www.gofoton.cn

GoFoton West Coast Sales

100 Century Center Court,Suite 203
San Jose, CA 95112,USA

GoFoton Head Quarters

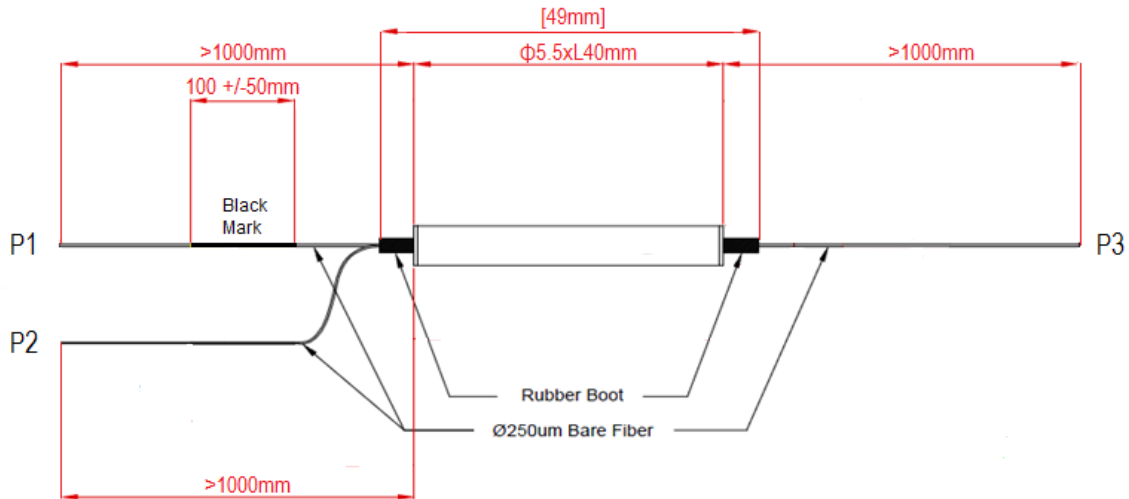
28 World's Fair Drive
Somerset, NJ 08873,USA
Tel: +1 732 469 9650
Fax: +1 732 469 9654
www.gofoton.com

B. MECHANICAL SPECIFICATIONS

PARAMETER	UNIT	SYMBOL	PORT	SPECIFICATION	
Fiber Type	-	FT	All	GI-50 Fiber (50/125/250)	
Fiber Length	mm	FL	All	No Connector	With Connector
				>1000	1000 +/-100
Fiber Protection	-	FP	All	Ø250um Bare Fiber	
Port Identification	-	PI	P1	Black Mark (100 +/-50mm)	
			P2	None	
			P3	None	
Package Size (Cylindrical Metal Housing) ⁵	mm	PS	-	Ø5.5xL40[49]	

Connector termination is available upon request.

C. PACKAGE DIMENSIONS



Note: Sample Illustration only.